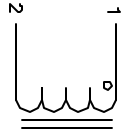


The information contained in this drawing is the sole property of CWS Coil Winding Specialist. Any reproduction in part or whole without written permission of CWS Coil Winding Specialist is prohibited.

REVISION HISTORY			
REV	ECN	DESCRIPTION	DATE
A		PRODUCTION RELEASE	2/9/04



SCHEMATIC

6 USING A PERMANENT MARKING METHOD MARK PART NUMBER AND REVISION, IF APPLICABLE IF NEEDED, WRAP INDUCTOR WITH GLASS TAPE TO THE CORE MUST REST FLAT ON PCB. LEADS MUST BE TANGENT FLUSH WITH THE COIL EDGE. AS SHOWN (I.E. COIL REMOVE INSULATION AND TIN LEADS 0.5 INCH

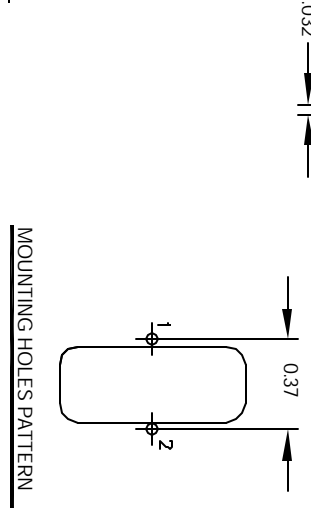
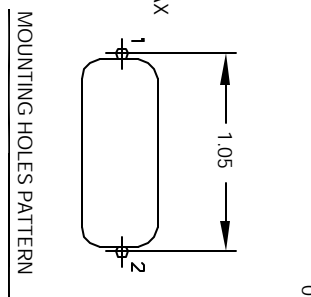
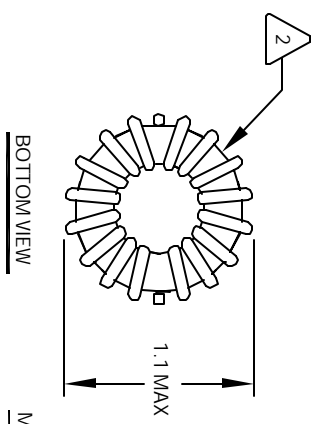
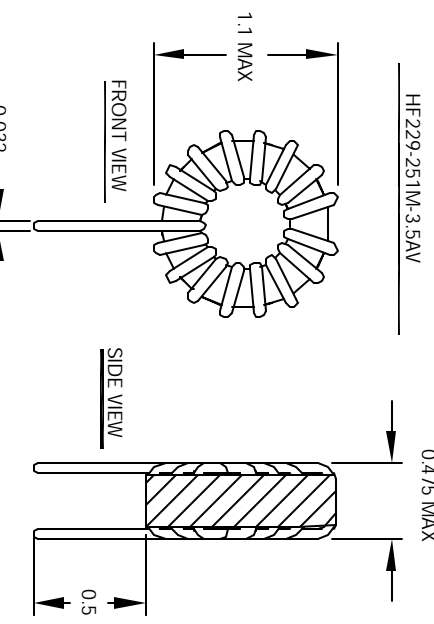
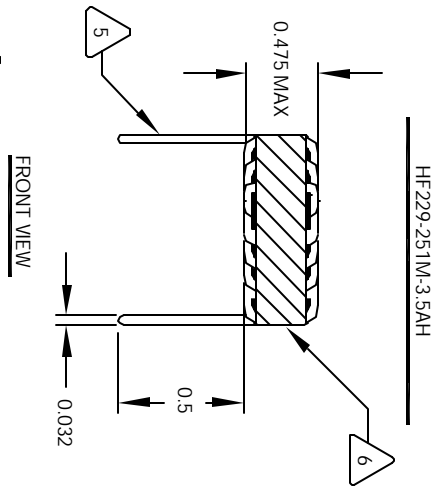
5 WIND COILS EVENLY SPACED AROUND THE CORE CONSTRUCTION:

4 HI-POT TEST FOR WINDING TO CORE ISOLATION = 500VDC MIN CURRENT RATING : 3.5 AMPS, 40 °C TEMP. RISE, NO AIR FLOW DCR = 88.0 MILLI-OHMS MAX.

3 DC BIASED = 3.5 AMPS, INDUCTANCE = 203 UH DC BIASED = 5.6 AMPS, INDUCTANCE = 175 UH INDUCTANCE = 250 UH +-10% @ LOW DC BIAS, 1 KHZ, 250mV SPECIFICATIONS:

2 WIRE: UL RECOGNIZED 200°C RATED MAGNET WIRE CWS BYTE-MARK OR OTHER APPROVED PART CORE: COATED HIGH FLUX TOROIDAL CORE

1 RATING CLASS B (130°C MIN.) REQUIRED MATERIAL: UL RECOGNIZED 94V-0 FOR FLAMMABILITY NOTES: TOROIDAL POWER CHOKE. ALL DIMENSIONS IN INCHES



CODE IDENT	MFG. P/N	DESCRIPTION	ITEM NO.
		PARTS LIST	
		CWS Coil Winding Specialist 1510 E. Edinger Ave. Unit B, Santa Ana, CA 92705	
		TITLE: Toroidal Power Chokes	
		SIZE: TOR. IN.	
		HF229-251M-3.5A	REV B
		SCALE: 2=1	
		SHEET: 1 OF 1	